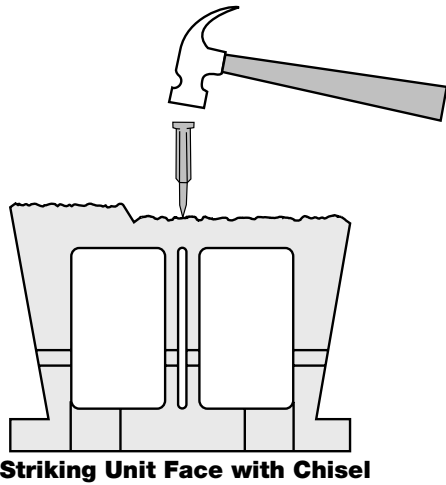


# StoneWall SELECT<sup>®</sup>

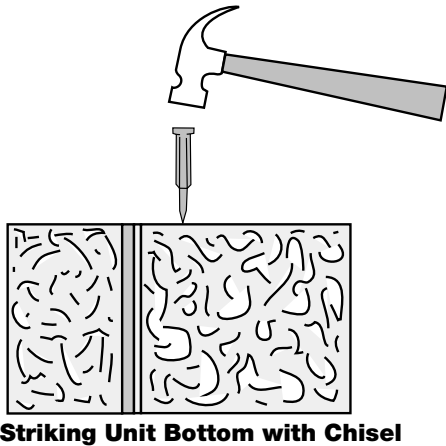
## Installation Manual Addendum Splitting a Unit in Half



**1. Select a SWS unit with a splittable slot.**

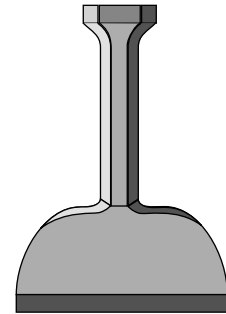
### Tools Required

Hammer  
Masonry Chisel (Set)  
Protective Eye Wear  
Gloves

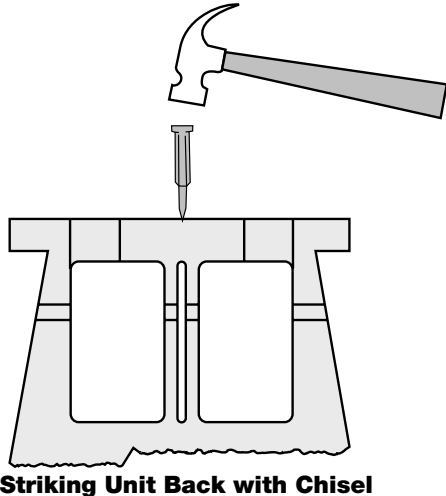


**2. Score the unit using the hammer and masonry chisel.**

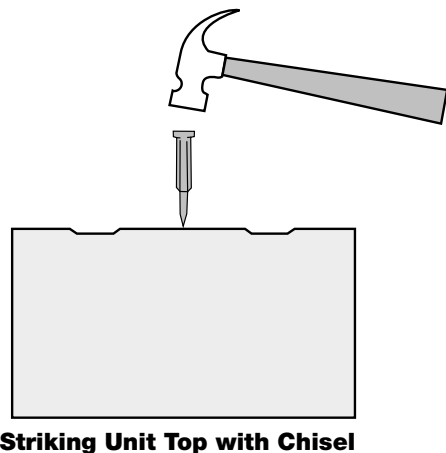
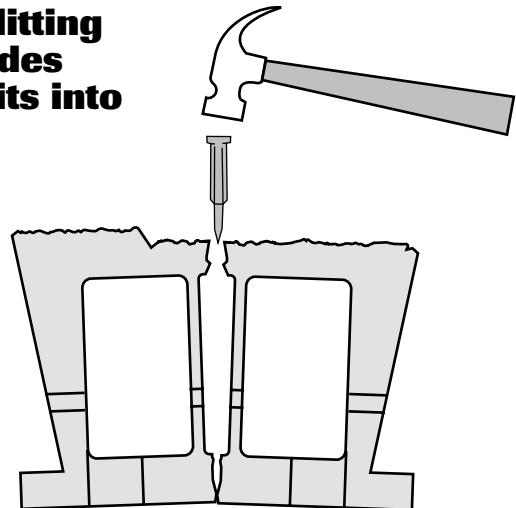
Score the unit on all sides as shown in illustrations.



The Masonry Chisel (Set)



**3. Repeat the splitting process on all sides until the unit splits into two halves.**



StoneWall SELECT...  
another perfectly proportioned  
product from:



Web Site [www.selecticd.com](http://www.selecticd.com)  
Toll Free 800 / 394-4066